

EAN: 4015474255098
static.hansa.com/49422203



- Washbasin
- Single-lever
- Deck mounted
- Chrome
- Fixed spout
- PCA® - constant flow rate regardless of pressure variations
- Hot/Cold symbols, Single operating lever/handle
- Limitation option for maximum temperature and flow-rate, Adjustable hot water stop (included, retrofittable)
- ø 35 mm ceramic cartridge for flow and temperature control
- Flexible inlet pipes
- Inner body made of DZR brass, Rapid installation system
- WithoutPopUpWaste, WithoutDrawRodOpening

Technical data

Flow properties

Flow-rate at 3 bar (with flow controller)	6.0 l/min
Pressure loss with flow (0.1 l/s)	2 bar

Technical properties

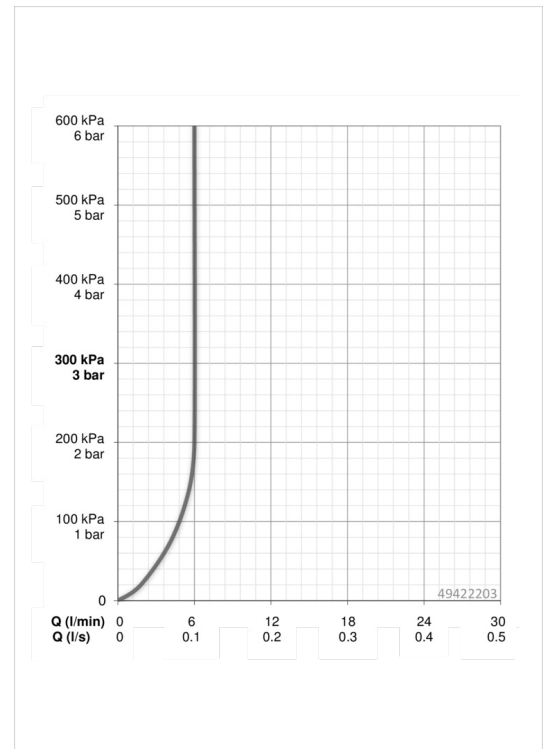
DN-size (nominal dimension)	DN15
Hot water supply	max. +80°C
Working pressure	1-10 bar
Connection size	G3/8
Projection	107 mm

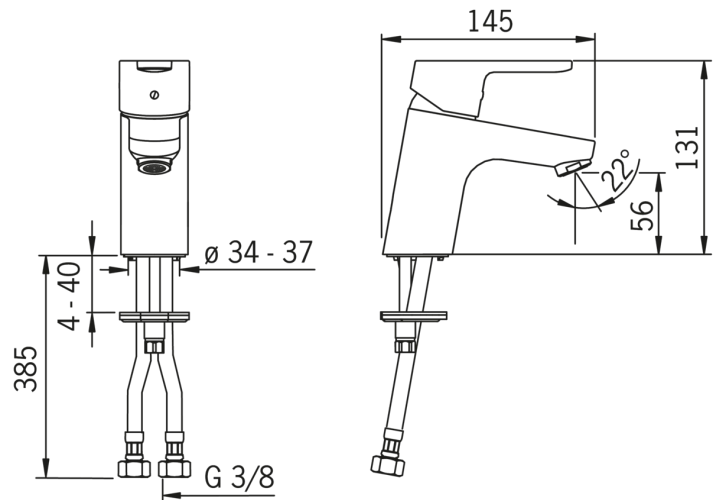
Regulations

EN standard	EN 817
Noise class	I (ISO 3822)

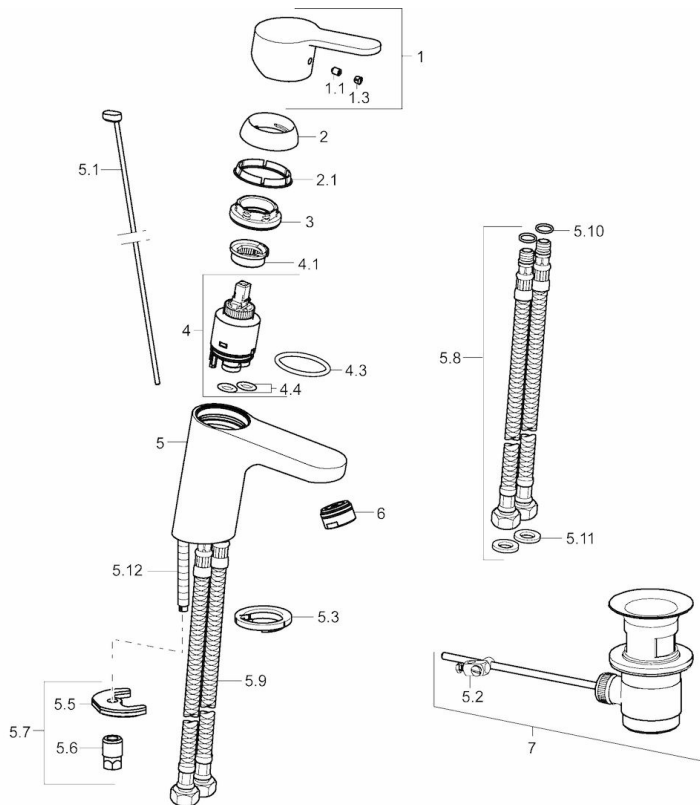
Approvals and Declarations

KIWA	K6116/08
------	-----------------





Spare parts



SP49402203

Name	Code
1 Lever	59913827
1.1 Screw, M5x8, SW2.5	59904755
1.3 Symbol plug Grey	59912112
2 Covering cap, 33 x 3 mm	59912504
2.1 Gasket, 45x35.5x5.4	59913651
3 Tightening nut, M40x1, SW30	59913210
4 Cartridge, 3.5 Classic	59913075
4 Cartridge, 3.5 Eco	59912324
4.1 Temperature adjustment limiter	59912325
4.3 O-ring, d 28.24x2.62	59912590
4.4 O-ring, d 10.10x1.60	59905072
5.1 Pop-up operating rod	59913067
5.10 O-ring, d 7.65x1.78	59902337
5.11 Gasket, 9.5x14.4x2	59912551
5.12 Fixing screw, M8x1, L=140	59912474
5.2 Swivel joint	59904624
5.3 Bottom seal	59913653
5.5 Fixing plate	59904765
5.6 Screw, M8x1, SW13	59904766
5.7 Fixing set	59912113
5.8 Flexible pipe	59913213
5.9 Flexible pipe, L=430, G3/8-M10x1	59912515
6 Aerator, M24x1, 6 l/min	59913727
7 Pop-up waste	59904620
7 Pop-up waste, (2019-)	59914764
N.I. Key, SW 30/34	59912108