

EAN: 4015474263284  
[static.hansa.com/57532203](http://static.hansa.com/57532203)



- Washbasin
- Single-lever
- Deck mounted
- Chrome
- Fixed spout
- PCA® - constant flow rate regardless of pressure variations, Hidden aerator
- Hot/Cold symbols, Single operating lever/handle
- Adjustable hot water stop (included, retrofittable)
- ø 35 mm ceramic cartridge for flow and temperature control
- Flexible inlet pipes
- Inner body made of DZR brass, Rapid installation system
- WithoutPopupWaste, WithoutDrawRodOpening

## Technical data

### Flow properties

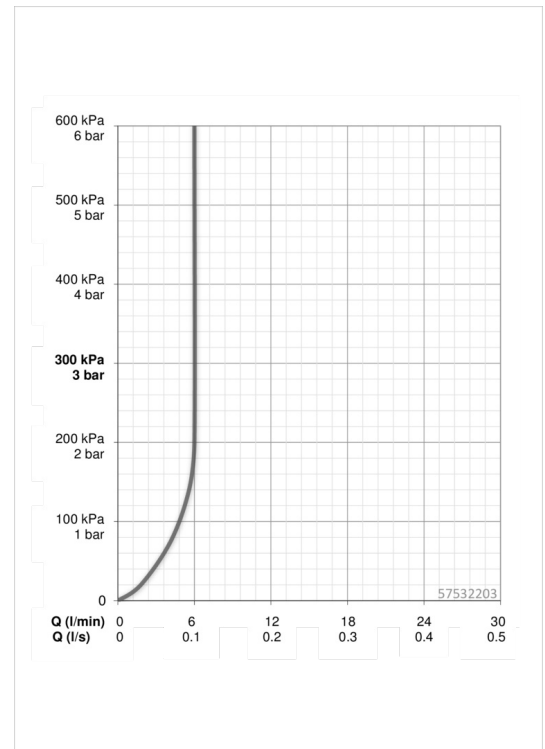
Flow-rate at 3 bar (with flow controller)	<b>6.0 l/min</b>
Pressure loss with flow (0.1 l/s)	<b>2 bar</b>

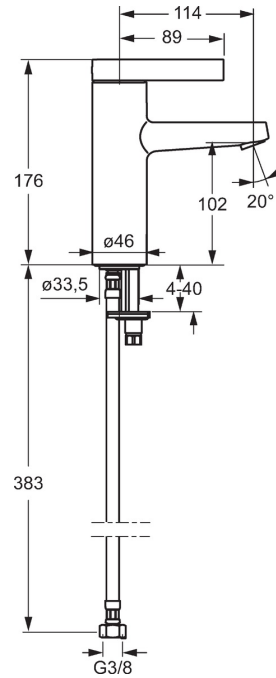
### Technical properties

DN-size (nominal dimension)	<b>DN15</b>
Hot water supply	<b>max. +80°C</b>
Working pressure	<b>1-10 bar</b>
Connection size	<b>G3/8</b>
Projection	<b>114 mm</b>

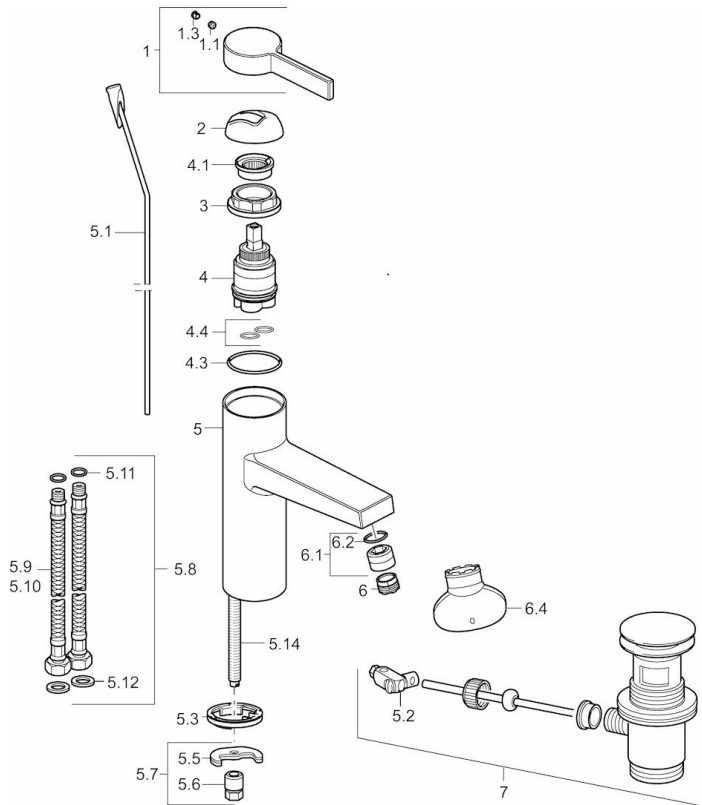
### Regulations

EN standard	<b>EN 817</b>
-------------	---------------





## Spare parts



### SP57542203

	Name	Code
1	Lever	59914017
1.1	Screw, M5x6, SW2.5	59912617
1.3	Cover plug	59913762
2	Covering cap	59914016
3	Screw, M42x1, SW34	59913365
4	Cartridge, 3.5 Eco	59912324
4	Cartridge, 3.5 Classic	59913075
4.1	Temperature adjustment limiter	59912325
4.3	O-ring, d 28.24x2.62	59912590
4.4	O-ring, d 10.10x1.60	59905072
5.1	Pop-up operating rod	59913652
5.11	O-ring, d 7.65x1.78	59902337
5.12	Gasket, 9.5x14.4x2	59912551
5.14	Fixing screw, M8x1, L=140	59912474
5.2	Swivel joint	59904624
5.3	Bottom seal	59913653
5.5	Fixing plate	59904765
5.6	Screw, M8x1, SW13	59904766
5.7	Fixing set	59910749
5.8	Flexible pipe	59913213
5.9	Flexible pipe, M10 x 1 - 3/8", L=500 mm	59911767
6	Aerator, M18.5x1, TJ	59913366
6.1	Fitting ring for aerator	59913654
6.4	Key for aerator, M18.5	59913367
7	Pop-up waste	59911441
N.I.	Key, SW 30/34	59912108