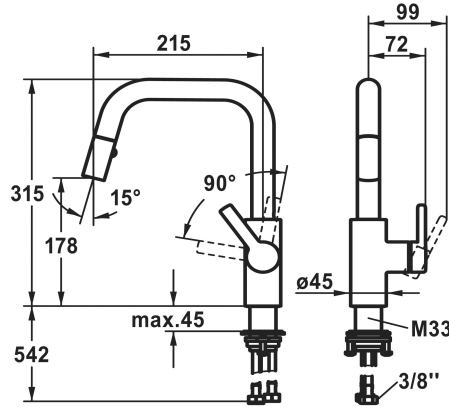


KWC LUNA E

Lever mixer - kitchen

Modell-Linie: LUNA E | 10.441.004.176FL

Taps | Manual taps



KWC-No.

125133
chromeline, A 215, flexible connection hoses 3/8"

125134
matt black, A 215, flexible connection hoses 3/8"

Farbcode

chromeline

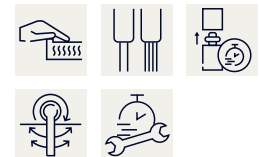
matt black

- * Lever mixer
- * Lever installation only possible on the right side
- Child safety: cold water flow in lever position towards the front
- * gap between wall and centre of mounting hole min. 25 mm
- * TouchProtect - anti-scald protection thanks to the "double skin" principle
- * Pull-out spray
- Neoperl® Cascade®
- PowerClean - needle spray mode, with automatic diverter reset
- up to 400 mm pull-out length

- black fabric hose
- QuickConnect - Simple hose connection system
- * SwivelStop - hose guide, swivelling 360°, limitable to 150°
- * KWC cartridge M 35 S
- with ceramic discs
- flow rate and temperature continuously variable
- * Flexible connection hoses 3/8"
- * QuickInstallation - Fastening via threaded connection with locking screws
- * Mounting hole size ø35 mm

Technical Data

Auslaufmenge Siebstrahl	8 l/min (3 bar)
Auslaufmenge Normalstahl	8 l/min (3 bar)
Anschluss	Flexible Anschlussschläuche 3/8"
Auslauf	schwenkbar
Bedienung	seitenbedient
Küchenbrause	Auszugbrause
Farbcode	matt black
Installationsart	Standmontage
Artikeltyp	Hebelmischer
Mass Höhe	315
Armaturengeräuschgruppe	I
Ausladung A	A 215
Energieetikette (CH)	A
Mass-Wasseraustritt	178
Material	Messing



Spare Parts

KWC LUNA E Lever mixer - kitchen

Modell-Linie: LUNA E | 10.441.004.176FL
Taps | Manual taps



Microspray key

638306
Z.638.306
